



Reliable high
performance
therapy tank

RECUMBENT BATHING SYSTEM

Primo Ferro™

A high quality system that is built to last

Primo Ferro is a height adjustable therapy tank that meets the specialised needs of care facilities involved in the treatment of patients with burn injuries or chronic skin conditions. Primo Ferro is ergonomically designed to allow the caregiver easy access to the patient while working at a comfortable height.



Primo Ferro is compatible with a range of transport and lifting aids that cover all mobility levels. Alenti (left) is best for patients who experience difficulties getting into and out of the tub. Miranti is designed for more dependent and totally dependent patients. Bolero and Calypso are also Primo Ferro-compatible.



Primo Ferro has smooth, rounded corners without seams to allow easy cleaning and effective disinfection. With the right product care, it will retain its polished finish and offer reliable performance for many years to come – a long service life that ensures a low total cost of ownership.

Tank Durability

Primo Ferro has a polished, high-finish, acid-resistant stainless steel tank. Stainless steel is a high-quality material, uniquely suited to the exacting demands for chemical resistance and ease of disinfection for burn and therapy treatment facilities.

The stainless steel tank is highly durable, will not discolor and is resistant to water additives such as iodophores and chlorine compounds. Its highly polished surface is easy to keep clean, enabling high standards of hygiene to be maintained.

System Flexibility

System features can be customised according to the specific needs of your facility. There is a wide range of control, comfort and safety options, such as digital temperature control, triple scalding protection, automatic disinfection system and autofill.

Hydromassage

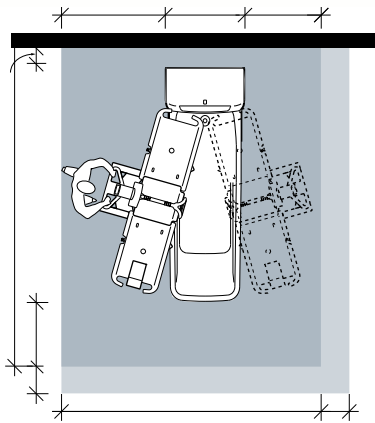
The built-in Hydromassage by Arjo unit includes a dual air and water flow control valve to increase or decrease agitation in the tank. An optional local treatment hose is also available for hand-held treatment. The single high efficiency nozzle is flush mounted to the tank for safety and is adjustable for flow direction to optimize treatment. The Hydromassage unit is designed to drain completely between use, minimising infection control risks.

Built in Disinfection

Cleaning of the tank and Hydromassage is simple and easy. The P300 panel offers automatic cleaning and disinfection of all Hydromassage components at the touch of a button, reducing time required for manual cleaning and increasing staff efficiency and infection control compliance. Primo Ferro is a high-quality system that is built to last.

Product Specifications

SPACE REQUIREMENT



Blue area shows the minimum working area required for the staff to be able to use the mechanical aids in an ergonomic way from one side

Light blue area shows required extension of working area to facilitate activities from either side to provide adequate access for the resident, mechanical aid and assisting carer.

MOBILITY GALLERY

Suitable for Albert, Barbara, Carl, Doris and Emma.



- A Albert - Ambulatory and independent
- B Barbara - Can support herself to some degree
- C Carl - Sits in a wheelchair with little capacity to support himself
- D Doris - No capacity to support herself.
- E Emma - Almost bedridden and totally dependant

Please contact Arjo for further information on the Mobility Gallery

PRODUCT INFORMATION

| | System 23 | System 25 |
|------------------------|-----------------|--------------|
| Maximum overall length | 2240mm (88") | 2490mm |
| Maximum overall width | 850mm (33 1/2) | 850mm |
| Maximum tub rim height | 1120mm (44") | 1120mm |
| Tub length | 1900mm (74 3/4) | 2140mm |
| Total weight | 490kg/1080lbs | |
| Water Consumption | 285L / 75gal | 335L/88.5gal |
| Stroke | 500mm (19 3/4) | |

Accessories

Booster Pump
(230V/50Hz only)

Foundation frame

Hydro nozzle

Treatment hose

Pillow & Foot Support

All products are CE marked.

Only Arjo designed parts, which are designed specifically for the purpose, should be used on the equipment and products supplied by Arjo.

As our policy is one of continuous development we reserve the right to modify designs and specifications without prior notice.

® and ™ are trademarks belonging to the Arjo group of companies.

© Arjo, 2019

Only Arjo designed parts, which are designed specifically for the purpose, should be used on the equipment and products supplied by Arjo. As our policy is one of continuous development we reserve the right to modify designs and specifications without prior notice. © Arjo, February 2019.

At Arjo, we are committed to improving the everyday lives of people affected by reduced mobility and age-related health challenges. With products and solutions that ensure ergonomic patient handling, personal hygiene, disinfection, diagnostics, and the effective prevention of pressure ulcers and venous thromboembolism, we help professionals across care environments to continually raise the standard of safe and dignified care. Everything we do, we do with people in mind.

Arjo AB • Hans Michelsensgatan 10 • 211 20 Malmö • Sweden • +46 10 335 4500

www.arjo.com